

TETRA HEAVY LIFT SERVICES



TETRA HEDRON DERRICK BARGE
VESSEL SPECIFICATIONS



TETRA HEDRON

VESSEL SPECIFICATIONS AND FEATURES



DIMENSIONS

Length (LOA)	394 feet (120 meters)
Width	118 feet (36 meters)
Depth	31.5 feet (9.6 meters)
Operating Draft	19.7 feet (6 meters)
Working Deck Area	14,322 square feet (4,340 square meters)
Classifications	ABS A-1, CRC, Accomodation/Work, UWILD Solas
Registry (Flag)	Vanuatu
Helideck	
Dimensions	83 x 77 feet (25 x 23 meters) capable of receiving a Sikorsky 61N
Load Capacity	28,660 pounds

ACCOMMODATIONS & STORAGE CAPACITY

Living Space	300-person quarters
Fuel Capacity	534,000 gallons (2,022 m ³)
Fresh Water Capacity	414,000 gallons (1,568 m ³)

MOORING EQUIPMENT

Anchors	(10)
Capacity	13 tons (12,000 kg)
Type	Flipper style
Winches	
Quantity	(10)
Type	SKW P1009-HMW
Capacity	143 tons (130 metric tons)
Wire	
Diameter	2.25 inch
Length	6,600 feet (2,000 meters)

AUXILIARY EQUIPMENT

Main Generator	(8) 1,000 kW, 690 volt, 50 Hz, 3 phase
Emergency Generator	(1) 500 kW, 690 volt, 50 Hz, 3 phase
Electric Compressors	(2) 1,000 m ³ @ 10 bar

MAIN CRANE

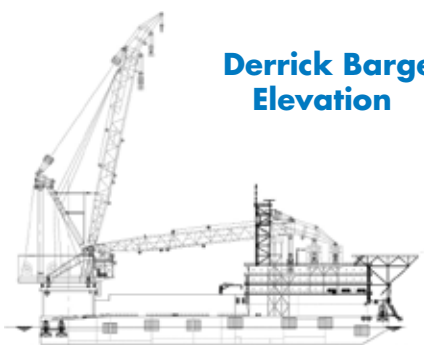
Make	Wison
Model	1600
Type	Revolving
Boom Length	
Main	236 feet, max hook height above main deck (72 meters)
Auxiliary	279 feet, max hook height above main deck (85 meters), 600 feet below water line
Whip	292 feet, max hook height above main deck (89 meters)
Capacity	
Main Fixed	1,763 short tons @ 105-foot radius (1,600 MT @ 32 meters radius)
Main Revolving	1,323 short tons @ 105-foot radius (1,200 MT @ 32 meters radius)
Auxiliary	385 short tons @ 246-foot radius (350 MT @ 75 meters radius) and to EL (-) 600 feet
Whip	55 short tons @ 256-foot radius (50 MT @ 78 meters radius)

DECK EQUIPMENT

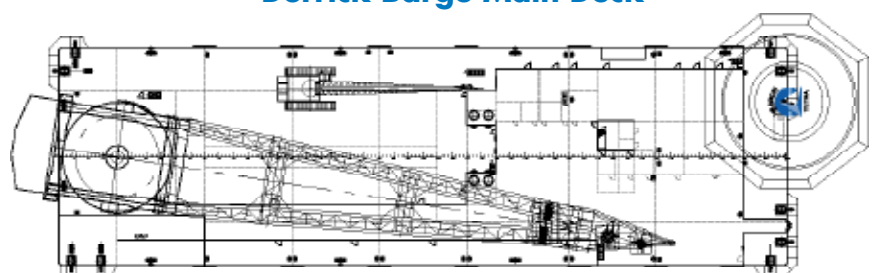
Deck Crane	
Make	Manitowoc
Model	14000
Type	Crawler
Boom	
Length	143 foot main
Capacity	112 short tons
Compressors	
Diesel	(1) 750 CFM
Jet Pumps	
Diesel	(1) 6x6

COMMUNICATIONS

Main Transmitters: Furuno/FS-2570C, 250 watts, 1.6 - 27.50 MHz
Emergency Transmitters: Thrane & Thrane/NERA F77 Distress, 40 watts, 1626.5 - 1660.5 MHz
Comsat/Inmarsat Satellite Communications: Thrane & Thane/Sailor 77 Fleet, 40 watts, 1626.5 - 1660.5 MHz
VHF: (2) Furuno/FM8800S VHF-FM, 25/1 watts, 155.000 - 161.475 MHz
Radar: Furuno/FAR - 2117 - BB, 12 kW, 9370 - 9450 MHz (X-Band); Furuno/FAR - 2817, 12 kW, 3020 - 308 MHz (S-Band)
Cospas/SAR-SAT/Inmarsat EPIRB: McMurdo/E5, 5 watts, 406/121.5 MHz
Radar Transponder: (2) McMurdo/S4, 400 mW ±26 dBm, 9.2 - 9.5 GHz
Navtex: Furuno/NX-700, 518/4209 kHz
Automatic Identification System (A.I.S.): Furuno/Universal AIS FA-150, 2/12.5 watts, 156.025 - 162.025 MHz
Ship Security Alert Sys.(S.S.A.S.): Furuno/Inmarsat C-mobile earth station/Felcom15, radiation 10 W/m ² @0.6m Dist, 1626-16465.5 MHz
Miscellaneous: Motorola/12 x GP328, 5 watts, 136 - 174 MHz

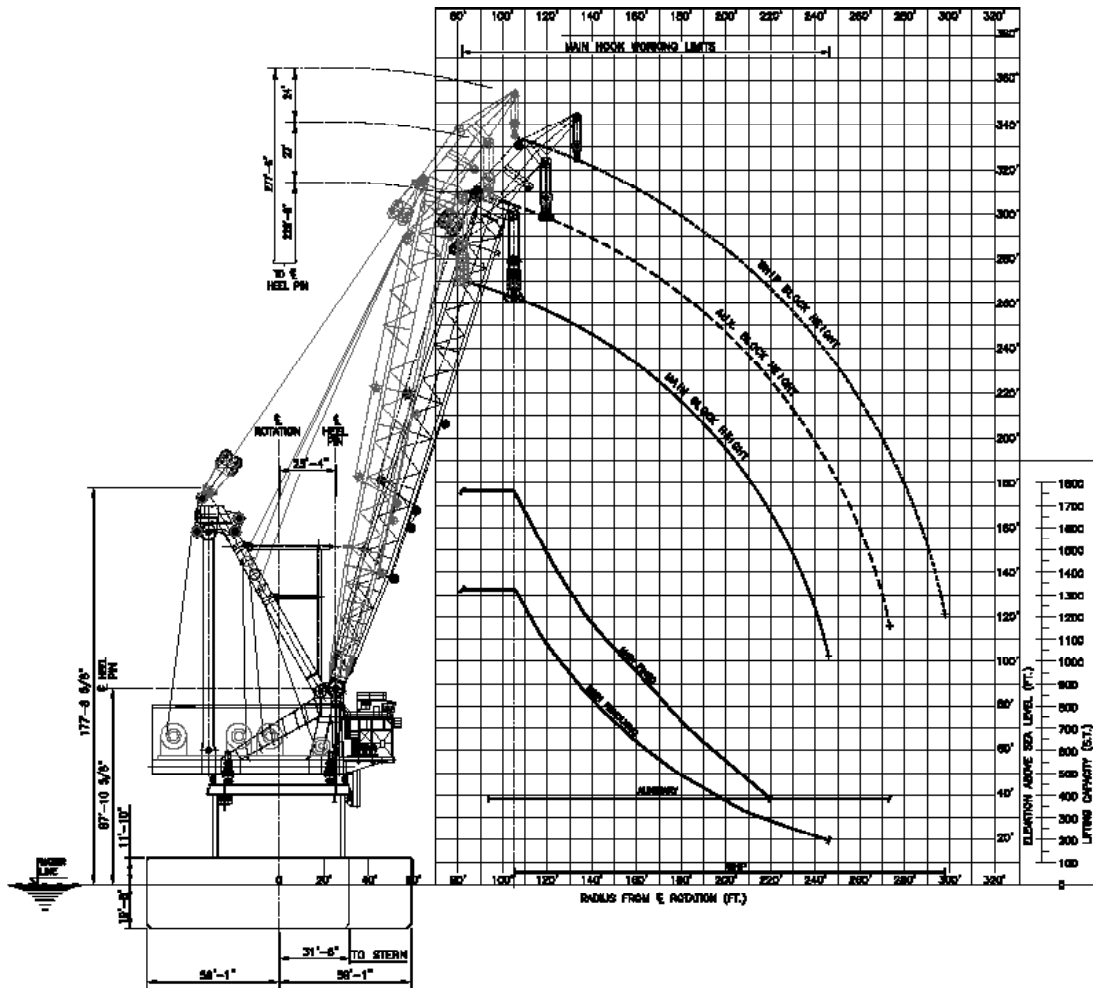


Derrick Barge Elevation



Derrick Barge Main Deck

Hook Radius vs. Lifting Capacity and Hook Height



TETRA Technologies, Inc.
 24955 Interstate 45 North
 The Woodlands, TX 77380
Phone: 281.367.1983
E-mail: heavylift@tetrathec.com

www.tetrathec.com

TETRA Offshore Services
 ISO 9001:2008 Certified

